

1. (a) Outline four components of an *Expert System*. (4 marks)

- (b) Paul an architectural engineer intends to draw a floor plan of a house. State how he would use each of the following CAD command:

- (i) mirror; (2 marks)

- (ii) Explode. (2 marks)

- (c) Define the term *Geographical information System*. (1 mark)

- (d) Figure 1 shows an object drawn in an isometric view. On the grid provided, sketch the *front*, *end* and the *plan* elevation in the *first angle orthographic* projection. Take the front elevation to be the view indicated by arrow labelled A. (6 marks)

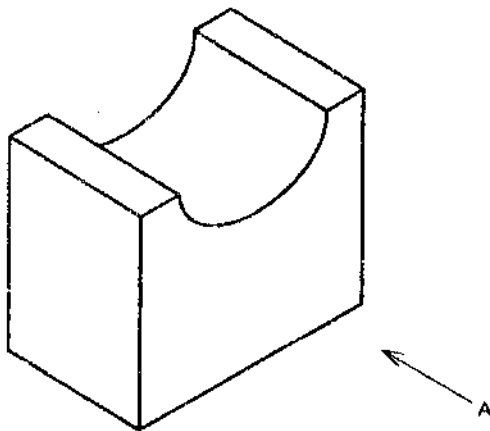
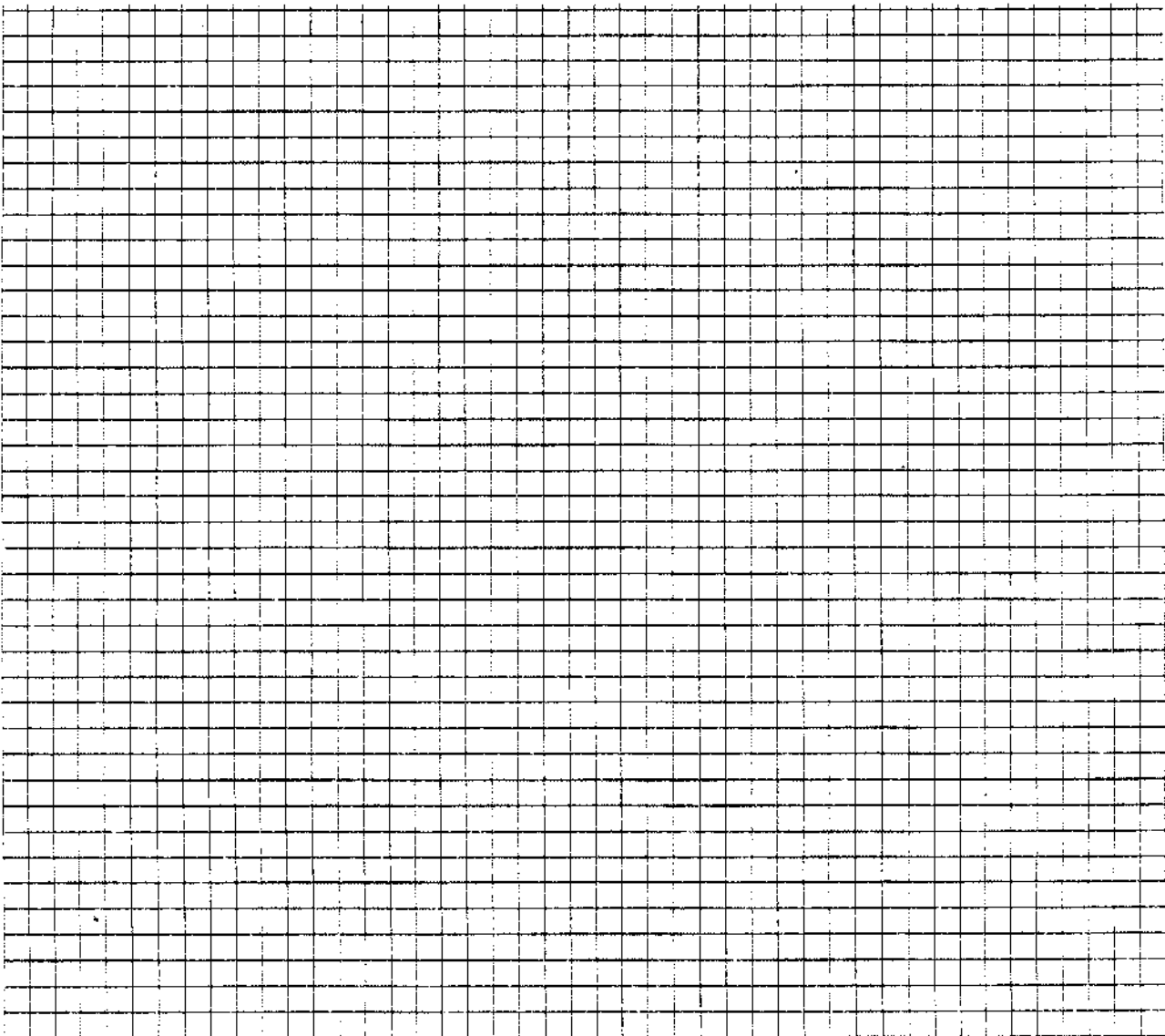


Figure 1



2. (a) (i) Define the term *accounting*. (1 mark)

(ii) Outline **four** objectives of accounting in an organization. (4 marks)

- (c) Figure 2 shows a geometry drawn using CAD program. Explain the role of *Offset command* in its construction. (2 marks)

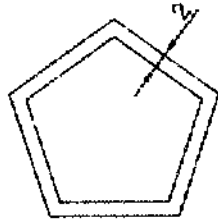


Figure 2

- (d) With the aid of an example, distinguish between *fixed assets* and *current assets* as used in accounting. (3 marks)

4. (a) (i) Explain the term *bookkeeping* as used in accounting. (2 marks)

- (ii) Describe the importance of computing the *net income* of a business. (2 marks)

(b) Assume that a mobile phone dealer employs you as a bookkeeper. State how you will use each of the following accounting documents.

(i) Sales Invoice; (2 marks)

(ii) A petty cash voucher. (2 marks)

(c) Table 1 is an extract of transactions that took place at Malimato Electronics Company for the month of January 2013.

Date	Transactions
1 January 2013	Deposited Ksh. 7,200,000 into a bank account.
3 January 2013	Bought premises for Ksh. 3,840,000, paying by cheque
6 January 2013	Bought goods for Ksh. 720,000 from D Katoo on credit
10 January 2013	Sold goods worth Ksh. 272,000 to B Meta on credit
13 January 2013	Sold goods worth Ksh. 48,000 by cash
15 January 2013	Paid Ksh. 360,000 to D Katoo by cheque
31 January 2013	Received Ksh. 240,000 by cheque from B Meta by cheque

Table 1

Prepare the company's trial balance as at 31st January 2013. (7 marks)
