



**TVET CURRICULUM DEVELOPMENT, ASSESSMENT AND CERTIFICATION
COUNCIL (TVET CDACC)**

Qualification Code : 071606T4MCT
Qualification : Mechatronics Technician Level 6
Unit Code : ENG/OS/MC/CC/01/6
Unit of Competency : Prepare and Interpret Technical Drawing

PRACTICAL ASSESSMENT

INSTRUCTIONS TO THE CANDIDATE

Use CAD software to attempt all the questions in this section.

Burn the drawing to the discs provided

Print the pdf document of your drawings

The following resources will be provided for the tasks:

- Permanent marker
- Empty Rewritable Compact Discs (R-CD)
- Desktop or Laptop computer installed with CAD software
- A4 Printing papers
- Printer that can print in colour

Name of the Candidate:

- **Registration Code of the Candidate:**

.....

- **Date:**

.....

- **Signature:**

.....

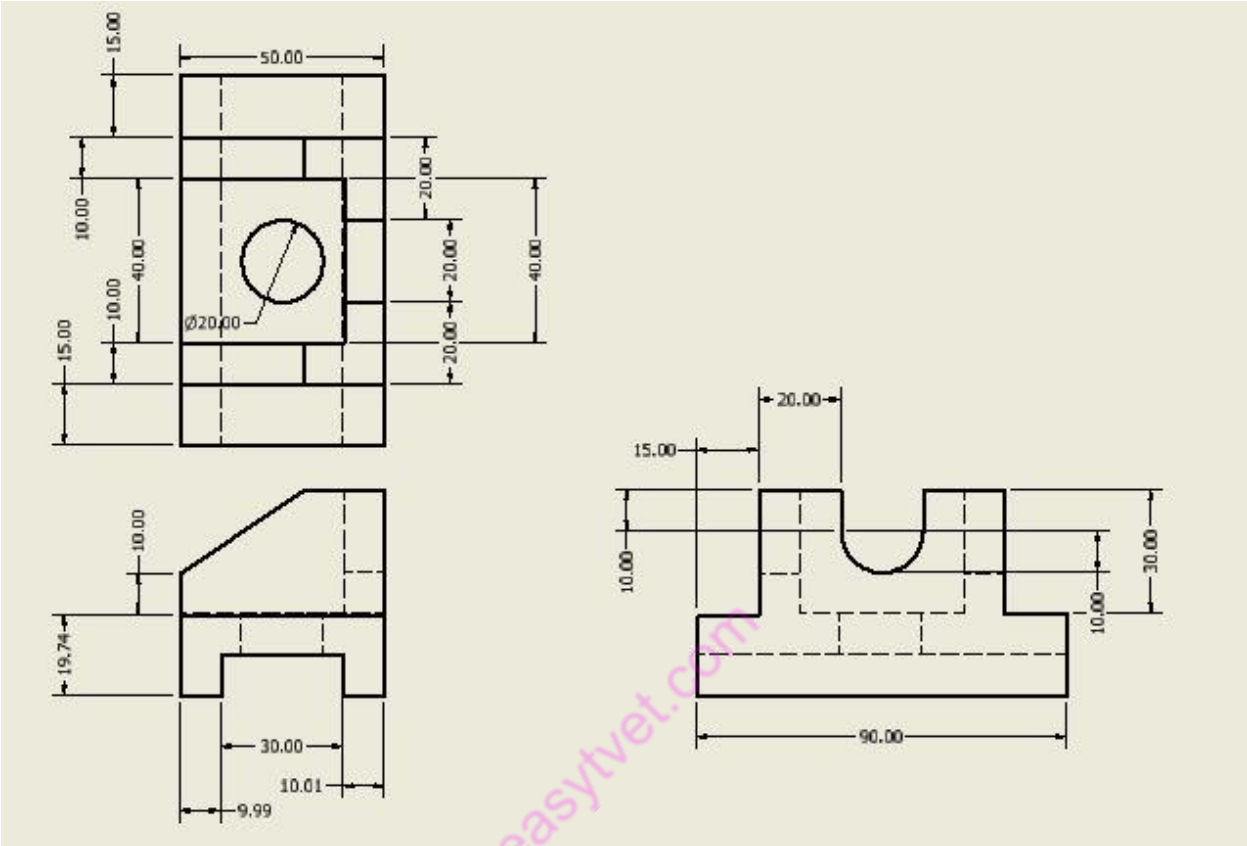
FOR OFFICIAL USE ONLY

- **OVERALL SCORE** (Question 1 and 2) (50 marks)

SECTION	Question 1	Question 2	OVERALL SCORE
Mark(s)	20	30	50
Score			

easytvvet.com

- 1. The figure below shows the views of a metallic bracket in third angle. Draw the isometric view of the bracket. (20 marks)



2. The figures below show parts of a certain component. Draw an assembly of the parts. (30 marks)

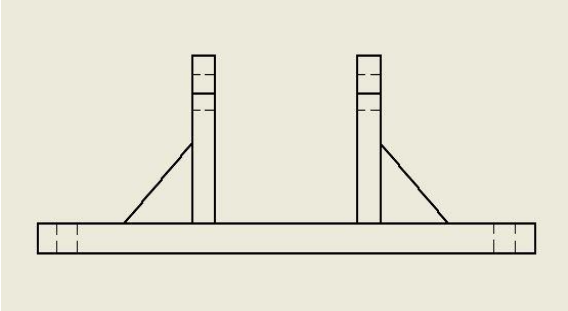


Figure 1-base

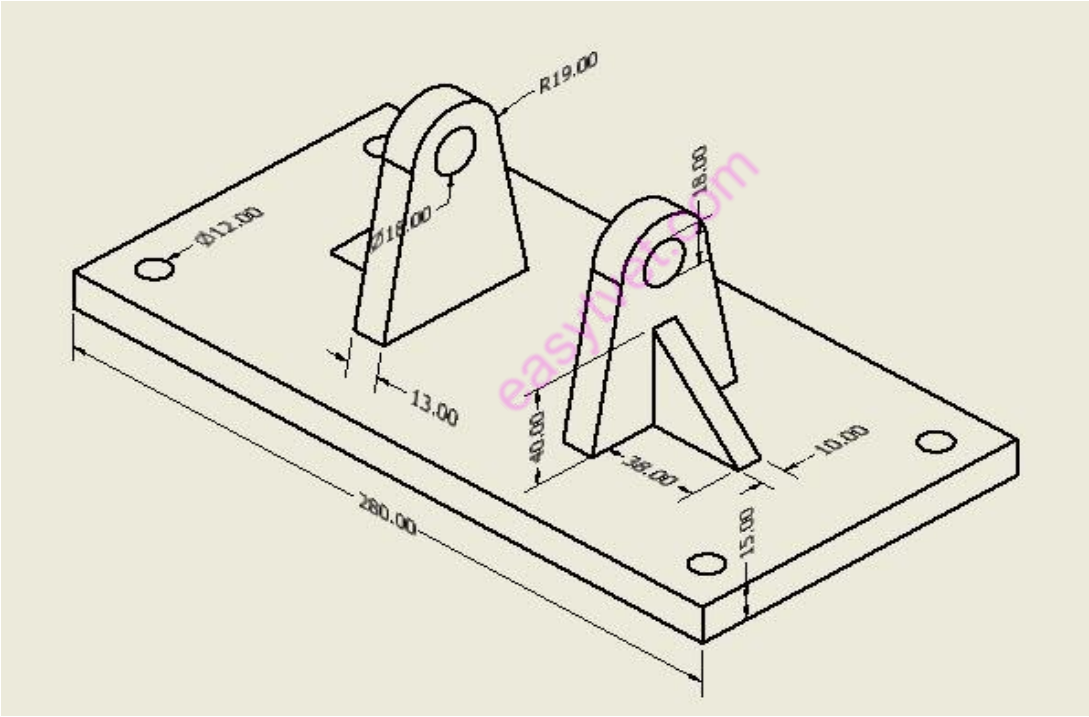


Figure 2-base

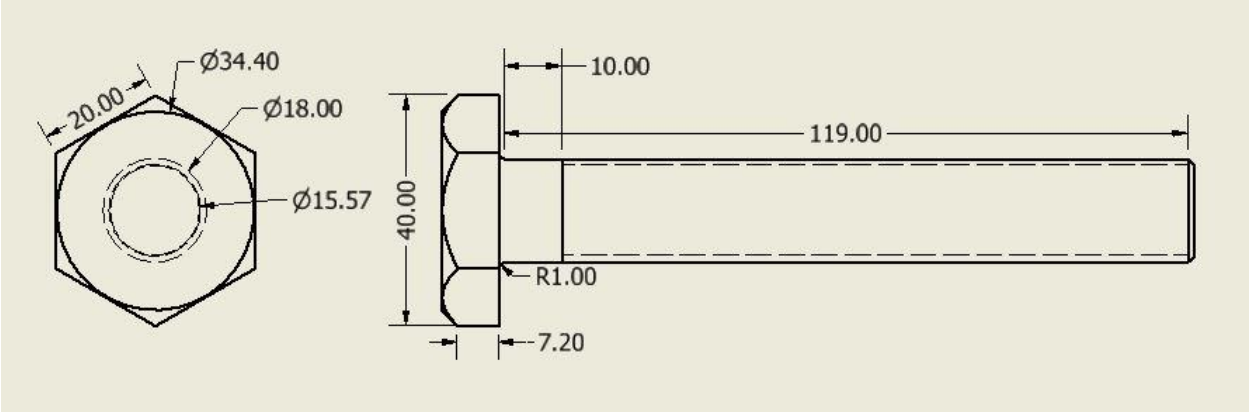


Figure 3-bolt and nut

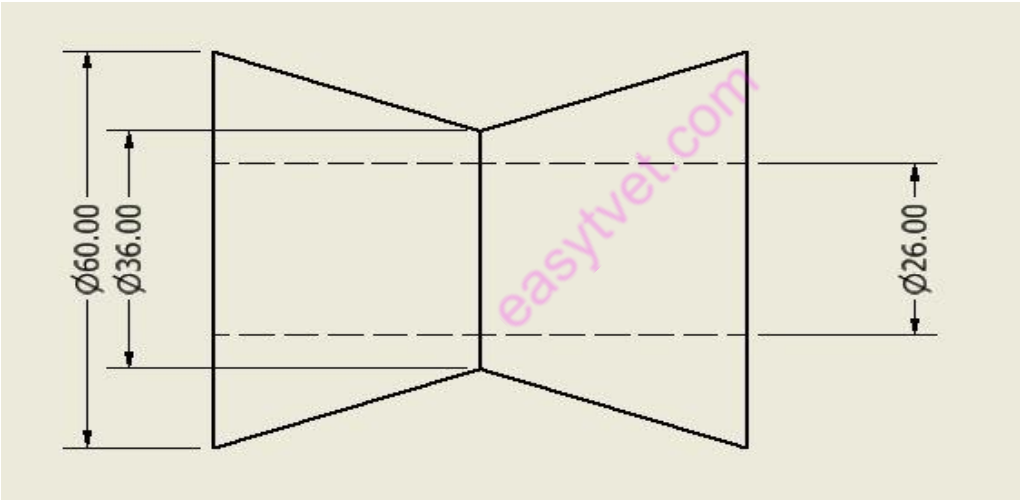


Figure 4-sleeve